



DIRECTIVES FOR THE INSTALLATION AND MAINTENANCE OF ABOVEGROUND, STEEL TANKS AND USED FOR THE STORAGE OF FLAMMABLE OR COMBUSTIBLE LIQUIDS.

→ Significance & Requirements

These directives apply to ULC-S601, UL142A & UL142 tanks manufactured by Biexo Inc. These tanks are designed for the storage of flammable liquids with a relative density not exceeding 1.0.

Combustible Liquid - Any liquid having a flashpoint equal to or greater than 37.8° C and less than 93.3° C, and defined in the National Fire Code of your area.

Flammable Liquid - Any liquid with a flashpoint below 37.8° C and vapour pressure not exceeding 276 kPa (absolute) at 37.8° C, as defined in the National Fire Code of your area.

These "non-pressurized" type tanks are normally vented to atmosphere and are not designed to withstand an internal pressure of more than 7 kPa (1 psi) in the top of the tank or depressurization exceeding 300 Pa.

The tanks are designed to be situated according to the different uses permitted and indicated on the UL/ULC labels. The tanks are intended only for stationary use once in place at destination.

Before installation, the installer must consult the local jurisdictional authorities in order to ensure all UL & ULC code requirements and all local, state and federal regulations are respected and followed.

→ Tank Inspection

Inspect the tank immediately upon receipt. Small anomalies as a result of transporting are acceptable (scratches). Any damage to the integrity of the tank must be reported to the Company (Biexo).

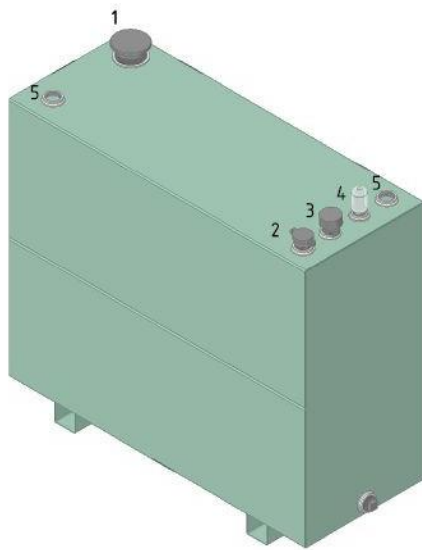
→ Moving the Tank

Make sure to use the correct method for moving the tank. The support legs underneath the tank are shaped to help you to move it with a lift truck. If available, use the lifting lugs located on top of the tank. The tank must be empty when moved.

→ Tank Installation

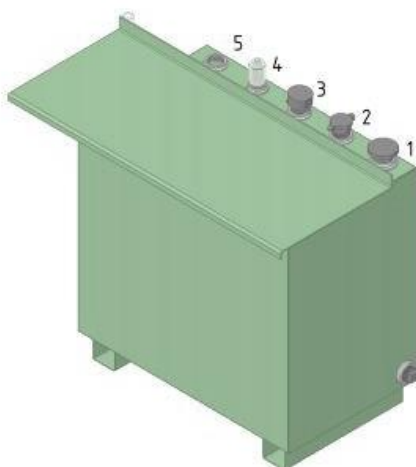
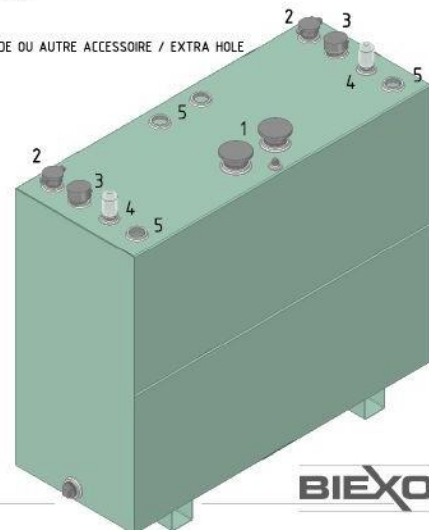
Refer to local regulatory codes and authorities to find all required information relevant to the proper installation of your tank. The empty space under the tank must be adequate, only the support legs under the tank should touch the ground.

Remove the temporary plastic caps on each flange of the tank before beginning the installation of tubing or accessories. Install the necessary accessories provided, as indicated in the drawings.



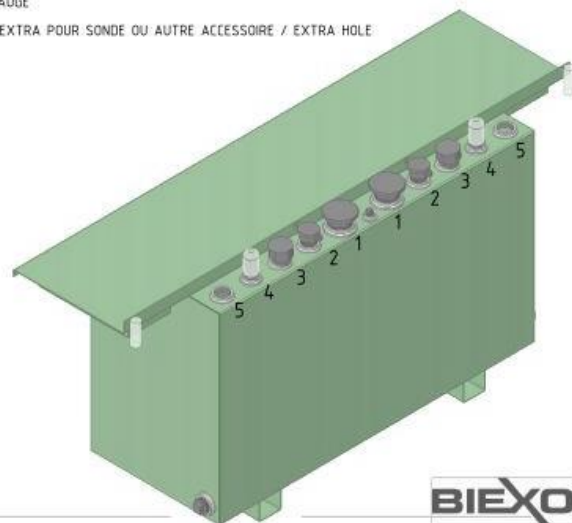
CHARTRE / CHART

- ① ÉVENT D'URGENCE 3" OU 4" / EMERGENCY VENT 3" OR 4"
- ② BOUCHON DE REMPLISSAGE / FILL CAP
- ③ ÉVENT RÉGULIER / REGULAR VENT
- ④ JAUGE / GAUGE
- ⑤ TROUS EN EXTRA POUR SONDE OU AUTRE ACCESSOIRE / EXTRA HOLE



CHARTRE / CHART

- ① ÉVENT D'URGENCE 3" OU 4" / EMERGENCY VENT 3" OR 4"
- ② BOUCHON DE REMPLISSAGE / FILL CAP
- ③ ÉVENT RÉGULIER / REGULAR VENT
- ④ JAUGE / GAUGE
- ⑤ TROUS EN EXTRA POUR SONDE OU AUTRE ACCESSOIRE / EXTRA HOLE



Do not leave any opening on the tank improperly sealed.

→ Tank Inspection after Initial Filling

The installer and the tank owner must ensure that there is no damage to the tank before it is filled for the first time. All welds and connections must be inspected in case of risk of leakage.

To ensure that the installation has been properly executed, an individual must be in attendance during the first filling of the tank.

→ Tank Maintenance

The tank and its accessories must be inspected regularly to ensure proper operation.

The tank must always be in a safe and stable environment.

Any opening on the tank must be closed.

If a leak is detected, empty the tank immediately and replace it.

Epoxy paint is on warranty for a year.

Upon receipt of the tank(s), you must fill out the warranty form for your tank(s). Then email the completed form to: quote@biexo.com

For any questions, please do not hesitate to contact us.